



ZeroCon

ADJUSTABLE COLLET

ZERO YOUR RUNOUT



Fine Adjustment Screw

▲ Productivity
▲ Tool life span
▲ ROI

Increase

Up To 80%

Reduce

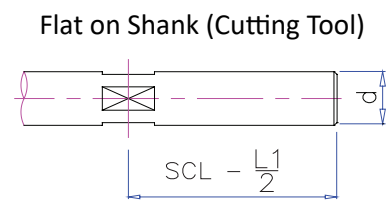
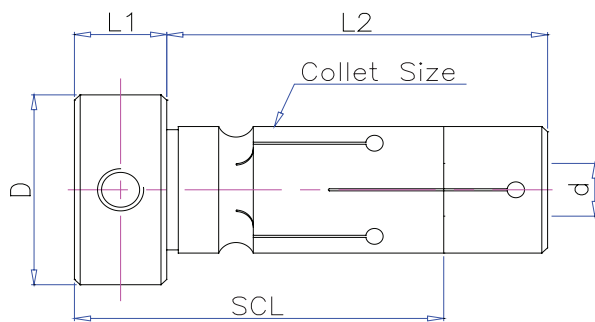
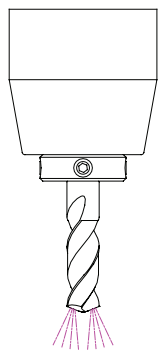
▼ Overall cost
▼ Run-out
▼ Set up time

Essential for:

- ☑ High-Precision Machining
- ☑ Long Series Drills

- ▲ Solve all your concentricity issues and achieve the accuracy of 0~2 μm
- ▲ Enhance your productivity and reduce overall cost
- ▲ Improve the life span of tools and increase ROI

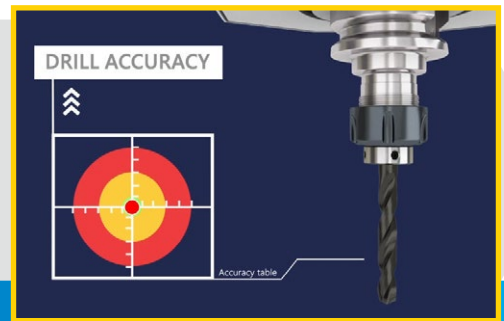
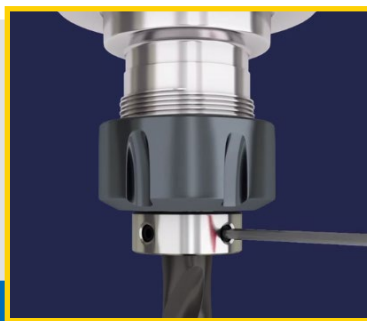
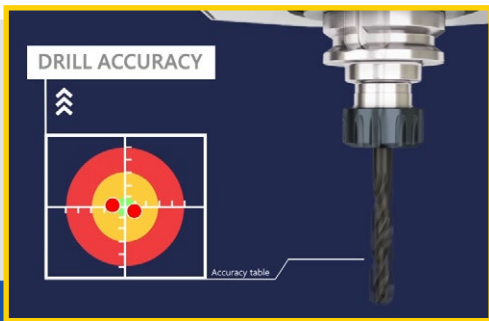
ZeroCon Collet - Internal Coolant (Metric)



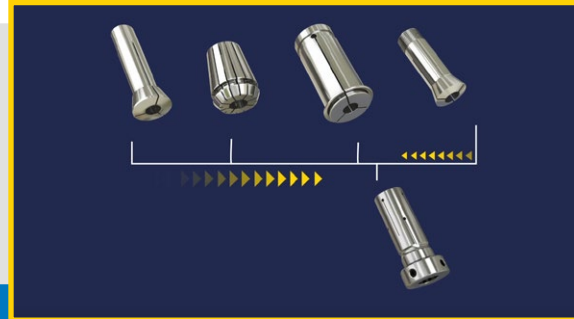
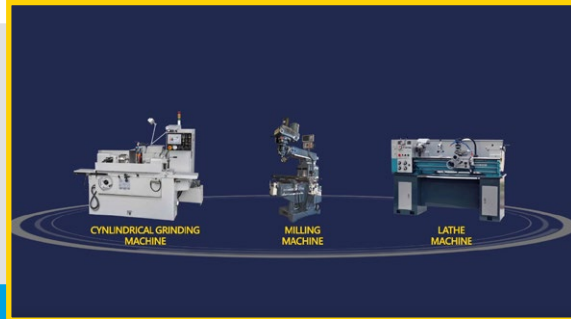
SCL = Shank Clamping Length, Required To Achieve Sealing Effect

Collet Size	Order No.	d	D	L1	L2	SCL	Ready Stocks	5 Piece Set - S	4 Piece Set - L
6	ZCCOIC 0306 M	3	12	6	24	24	☑	☑	
10	ZCCOIC 0310 M	3	16	8	26	28			
	ZCCOIC 0410 M	4	16	8	26	28	☑	☑	
	ZCCOIC 0510 M	5	16	8	29	30	☑	☑	
12	ZCCOIC 0610 M	6	16	8	34	36			
	ZCCOIC 0412 M	4	18	8	30	28			
	ZCCOIC 0512 M	5	18	8	33	30			
	ZCCOIC 0612 M	6	18	8	38	36	☑	☑	
16	ZCCOIC 0812 M	8	18	8	38	36			
	ZCCOIC 0516 M	5	22	8	35	30			
	ZCCOIC 0616 M	6	22	8	40	36			
	ZCCOIC 0816 M	8	22	8	40	36	☑	☑	
20	ZCCOIC 1016 M	10	22	8	40	40	☑		☑
	ZCCOIC 1020 M	10	28	10	48	40			
	ZCCOIC 1220 M	12	28	10	48	45	☑		☑
	ZCCOIC 1420 M	14	28	10	48	45			
25	ZCCOIC 1620 M	16	28	10	48	48	☑		☑
	ZCCOIC 1225 M	12	32	10	55	45			
	ZCCOIC 1425 M	14	32	10	55	45			
	ZCCOIC 1625 M	16	32	12	53	48			
	ZCCOIC 1825 M	18	32	12	53	48			
32	ZCCOIC 2025 M	20	32	12	53	50	☑		☑
	ZCCOIC 2532 M	25	42	14	61	60			

NOTE: 1. ZeroCon collet for high precision and finishing cut purpose only. 2. Apply thumb-forefinger pressure to tighten adjustment screws. 3. Flat surfaces required on cutting tool shank for heavy cut. 4. Other dimensions will be provided upon request. Please state "Collet Size" & "d". 5. Inch models also available. 6. All specifications are subject to change without prior notice.

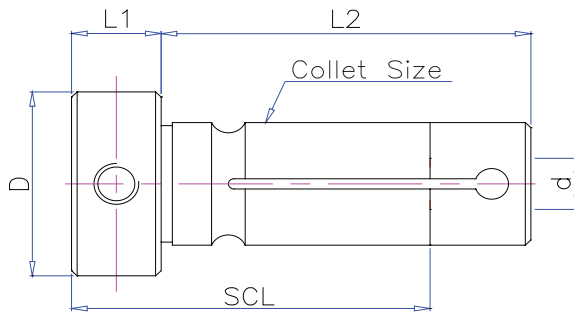
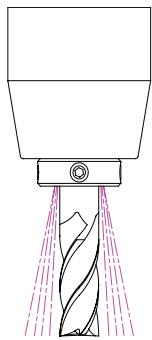


Free play will cause low drilling accuracy. But with ZeroCon installed, high accuracy is achieved and runout can become near zero!

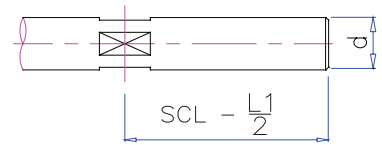


ZeroCon can be used on a variety of precision machineries and works with all hydraulic / collet chucking system!

ZeroCon Collet - External Coolant (Metric)



Flat on Shank (Cutting Tool)



SCL = Shank Clamping Length
To Achieve Sealing Effect, Use Together With A Sealed Collet

Collet Size	Order No.	d	D	L1	L2	SCL	Limited Stocks
6	ZCCOEC 0306 M	3	12	6	24	24	<input checked="" type="checkbox"/>
10	ZCCOEC 0310 M	3	16	8	26	28	
	ZCCOEC 0410 M	4	16	8	26	28	<input checked="" type="checkbox"/>
	ZCCOEC 0510 M	5	16	8	29	30	<input checked="" type="checkbox"/>
	ZCCOEC 0610 M	6	16	8	34	36	
12	ZCCOEC 0412 M	4	18	8	30	28	
	ZCCOEC 0512 M	5	18	8	33	30	
	ZCCOEC 0612 M	6	18	8	38	36	<input checked="" type="checkbox"/>
	ZCCOEC 0812 M	8	18	8	38	36	
16	ZCCOEC 0516 M	5	22	8	35	30	
	ZCCOEC 0616 M	6	22	8	40	36	
	ZCCOEC 0816 M	8	22	8	40	36	<input checked="" type="checkbox"/>
	ZCCOEC 1016 M	10	22	8	40	40	<input checked="" type="checkbox"/>
20	ZCCOEC 1020 M	10	28	10	48	40	
	ZCCOEC 1220 M	12	28	10	48	45	<input checked="" type="checkbox"/>
	ZCCOEC 1420 M	14	28	10	48	45	
	ZCCOEC 1620 M	16	28	10	48	48	<input checked="" type="checkbox"/>
25	ZCCOEC 1225 M	12	32	10	55	45	
	ZCCOEC 1425 M	14	32	10	55	45	
	ZCCOEC 1625 M	16	32	12	53	48	
	ZCCOEC 1825 M	18	32	12	53	48	
	ZCCOEC 2025 M	20	32	12	53	50	<input checked="" type="checkbox"/>
32	ZCCOEC 2532 M	25	42	14	61	60	

- NOTE:** 1. ZeroCon collet for high precision and finishing cut purpose only. 4. Other dimensions will be provided upon request. Please state "Collet Size" & "d".
 2. Apply thumb-forefinger pressure to tighten adjustment screws. 5. Inch models also available.
 3. Flat surfaces required on cutting tool shank for heavy cut. 6. All specifications are subject to change without prior notice.