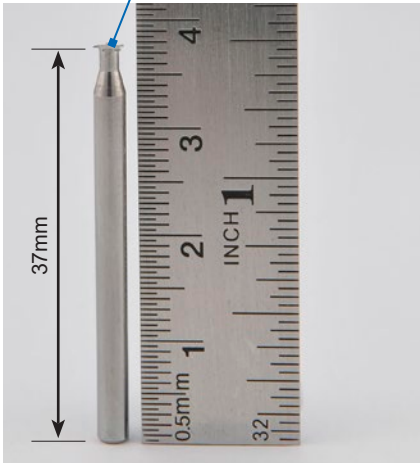




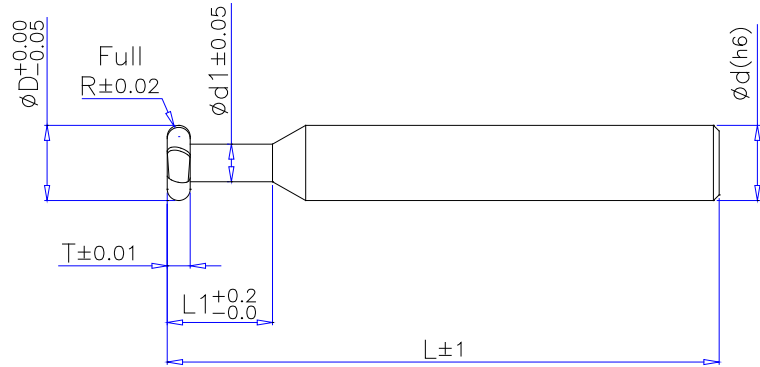
# SOLID CARBIDE FULL RADIUS T-SLOT CUTTER



Close up view



SPIRAL FLUTE: 15°



ØD	T	d1	L1	d	L	No. Of Flutes
1.5	0.1	0.8	3	3	38	3
	0.2	0.8	3	3	38	3
	0.3	0.8	3	3	38	3
	0.4	0.8	3	3	38	3
2	0.1	1	4	3	38	3
	0.2	1	4	3	38	3
	0.3	1	4	3	38	3
	0.4	1	4	3	38	3
	0.5	1	5	3	38	3
	0.6	1	5	3	38	3
2.5	0.1	1.2	4	3	50	3
	0.2	1.2	4	3	50	3
	0.3	1.2	4	3	50	3
	0.4	1.2	4	3	50	3
	0.5	1.2	5	3	50	3
	0.6	1.2	5	3	50	3
	0.7	1.2	5	3	50	3
	0.8	1.2	5	3	50	3
3	0.2	1.5	5	3	50	3
	0.3	1.5	5	3	50	3
	0.4	1.5	5	3	50	3
	0.5	1.5	5	3	50	3
	0.6	1.5	5	3	50	3
	0.7	1.5	5	3	50	3
	0.8	1.5	5	3	50	3
	0.9	1.5	5	3	50	3
	1	1.5	5	3	50	3
4	0.2	2	6	4	50	3
	0.3	2	6	4	50	3
	0.4	2	6	4	50	3
	0.5	2	6	4	50	3
	0.6	2	6	4	50	3
	0.7	2	6	4	50	3
	0.8	2	6	4	50	3
	0.9	2	6	4	50	3
	1	2	6	4	50	3
	1.1	2	6	4	50	3
	1.2	2	6	4	50	3

ØD	T	d1	L1	d	L	No. Of Flutes
5	0.2	2.5	6	5	50	4
	0.3	2.5	6	5	50	4
	0.4	2.5	6	5	50	4
	0.5	2.5	6	5	50	4
	0.6	2.5	6	5	50	4
	0.7	2.5	6	5	50	4
	0.8	2.5	6	5	50	4
	0.9	2.5	6	5	50	4
	1	2.5	6	5	50	3
	1.1	2.5	6	5	50	3
	1.2	2.5	6	5	50	3
	1.5	2.5	6	5	50	3
	6	0.2	3	6	6	59
0.3		3	6	6	59	4
0.4		3	6	6	59	4
0.5		3	6	6	59	4
0.6		3	6	6	59	4
0.7		3	6	6	59	4
0.8		3	6	6	59	4
0.9		3	6	6	59	4
1		3	6	6	59	4
1.1		3	6	6	59	3
1.2		3	6	6	59	3
1.5		3	6	6	59	3

ØD	T	d1	L1	d	L	No. Of Flutes
8	0.2	4	6	8	59	6
	0.3	4	6	8	59	6
	0.4	4	6	8	59	6
	0.5	4	6	8	59	6
	0.6	4	6	8	59	6
	0.7	4	6	8	59	6
	0.8	4	6	8	59	6
	0.9	4	6	8	59	6
	1	4	6	8	59	4
	1.1	4	6	8	59	4
	1.2	4	6	8	59	4
	1.5	4	6	8	59	4
	2	4	6	8	59	4
	2.5	4	8	8	59	4
	10	0.2	5	8	10	74
0.3		5	8	10	74	6
0.4		5	8	10	74	6
0.5		5	8	10	74	6
0.6		5	8	10	74	6
0.7		5	8	10	74	6
0.8		5	8	10	74	6
0.9		5	8	10	74	6
1		5	8	10	74	4
1.1		5	8	10	74	4
1.2		5	8	10	74	4
1.5		5	8	10	74	4
2		5	8	10	74	4
2.5		5	10	10	74	4
3		5	10	10	74	4

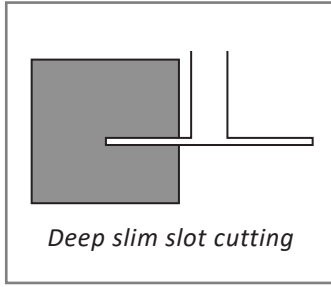
**NOTE:**

1. Submicron grade carbide.
2. Other dimensions will be provided upon request.
3. All specifications are subject to change without prior notice.

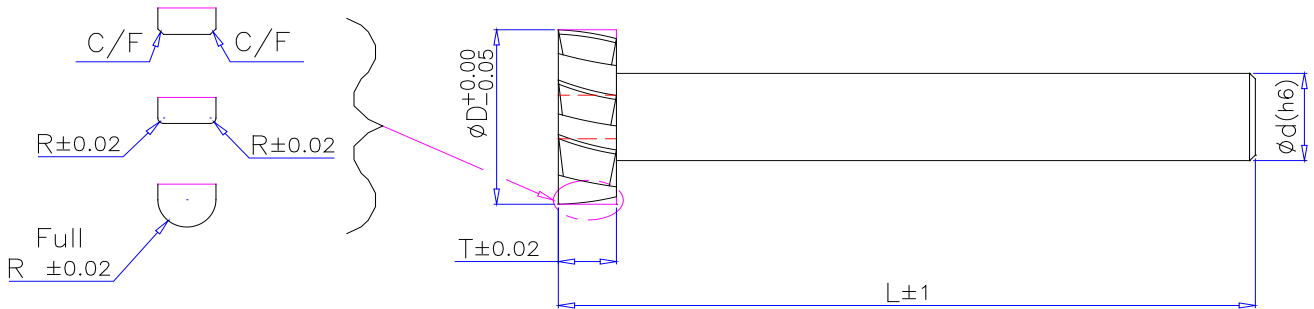
For customization, please fill in your required dimensions here:

D	T	d1	L1	d	L	N	Full R
Tol:	-	-	-	-	-	-	-
Size:	-	-	-	-	-	-	-

# CARBIDE T-SLOT CUTTER - REDUCED SHANK



SPIRAL FLUTE: 15°



ØD	T	d	L	No. Of Flutes
12	0.5	8	59	6
	1	8	59	6
	1.2	8	59	6
	1.5	8	59	6
	2	8	59	6
	2.5	8	59	6
	3	8	59	6
	3.5	8	59	6
	4	8	59	6
5	8	59	6	
14	0.5	8	59	6
	1	8	59	6
	1.2	8	59	6
	1.5	8	59	6
	2	8	59	6
	2.5	8	59	6
	3	8	59	6
	3.5	8	59	6
	4	8	59	6
5	8	59	6	

ØD	T	d	L	No. Of Flutes
15	1	8	59	6
	1.2	8	59	6
	1.5	8	59	6
	2	8	59	6
	2.5	8	59	6
	3	8	59	6
	3.5	8	59	6
	4	8	59	6
	5	8	59	6
16	1	8	59	6
	1.2	8	59	6
	1.5	8	59	6
	2	8	59	6
	2.5	8	59	6
	3	8	59	6
	3.5	8	59	6
	4	8	59	6
	5	8	59	6
18	1	10	73	6
	1.2	10	73	6
	1.5	10	73	6
	2	10	73	6
	2.5	10	73	6
	3	10	73	6
	3.5	10	73	6
	4	10	73	6
	5	10	73	6
6	10	73	6	

ØD	T	d	L	No. Of Flutes
20	1	10	73	6
	1.2	10	73	6
	1.5	10	73	6
	2	10	73	6
	2.5	10	73	6
	3	10	73	6
	3.5	10	73	6
	4	10	73	6
	5	10	73	6
6	10	73	6	
22	1	12	74	8
	1.2	12	74	8
	1.5	12	74	8
	2	12	74	8
	2.5	12	74	8
	3	12	74	8
	3.5	12	74	8
	4	12	74	8
	5	12	74	8
6	12	74	8	
25	1	12	74	8
	1.2	12	74	8
	1.5	12	74	8
	2	12	74	8
	2.5	12	74	8
	3	12	74	8
	3.5	12	74	8
	4	12	74	8
	5	12	74	8
6	12	74	8	

ØD	T	d	L	No. Of Flutes
28	1	16	100	8
	1.2	16	100	8
	1.5	16	100	8
	2	16	100	8
	2.5	16	100	8
	3	16	100	8
	3.5	16	100	8
	4	16	100	8
30	5	16	100	8
	6	16	100	8
	7	16	100	8
	8	16	100	8
	1	16	100	10
	1.2	16	100	10
	1.5	16	100	10
	2	16	100	10
32	2.5	16	100	10
	3	16	100	10
	3.5	16	100	10
	4	16	100	10
	5	16	100	10
	6	16	100	10
	7	16	100	10
	8	16	100	10

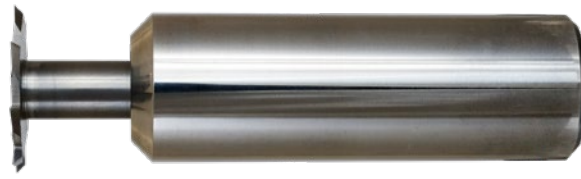
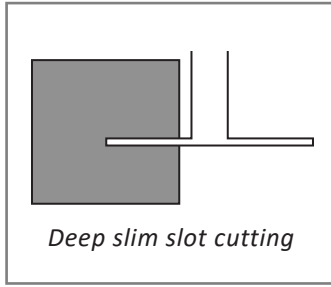
**NOTE:**

1. Chamfer, Radius & Full Radius are customized designs.
2. Submicron grade carbide.
3. Other dimensions will be provided upon request.
4. All specifications are subject to change without prior notice.

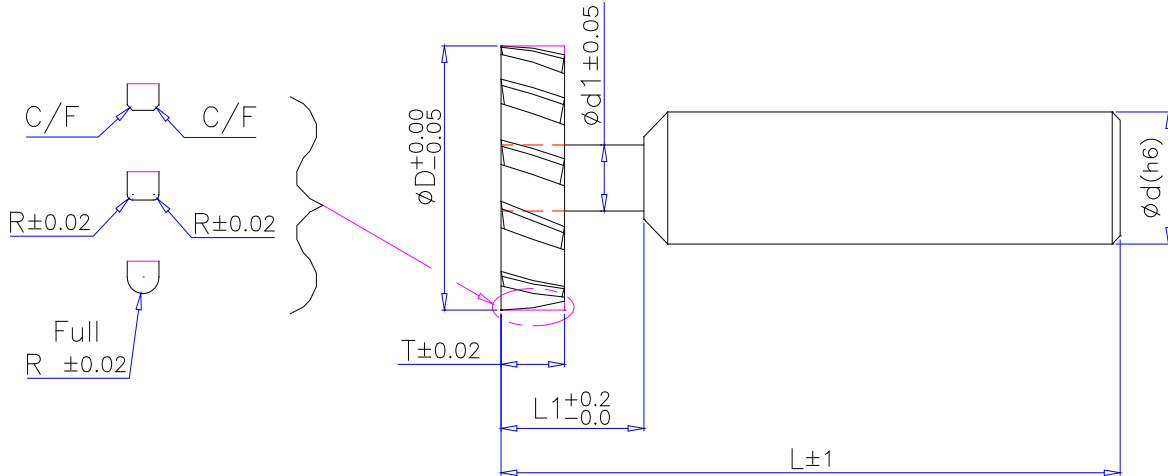
For customization, please fill in your required dimensions here:

D	T	d	L	N	C/F	Full R	R
Tol:	-	-	-	-	-	-	-
Size:	-	-	-	-	-	-	-

# CARBIDE T-SLOT CUTTER REDUCED NECK - STEEL SHANK



SPIRAL FLUTE: 15°



ØD	T	d1	L1	d	L	No. Of Flutes
18	1	8	18	16	98	8
	1.2	8	18	16	98	8
	1.5	8	18	16	98	8
	2	8	18	16	98	8
	2.5	8	18	16	98	8
	3	8	18	16	98	8
	3.5	8	18	16	98	8
	4	8	18	16	98	8
	5	8	18	16	98	8
6	8	18	16	98	8	
20	1	8	18	16	98	8
	1.2	8	18	16	98	8
	1.5	8	18	16	98	8
	2	8	18	16	98	8
	2.5	8	18	16	98	8
	3	8	18	16	98	8
	3.5	8	18	16	98	8
	4	8	18	16	98	8
5	8	18	16	98	8	
6	8	18	16	98	8	
22	1	8	18	16	98	8
	1.2	8	18	16	98	8
	1.5	8	18	16	98	8
	2	8	18	16	98	8
	2.5	8	18	16	98	8
	3	8	18	16	98	8
	3.5	8	18	16	98	8
	4	8	18	16	98	8
5	8	18	16	98	8	
6	8	18	16	98	8	

ØD	T	d1	L1	d	L	No. Of Flutes
25	1	8	18	16	98	8
	1.2	8	18	16	98	8
	1.5	8	18	16	98	8
	2	8	18	16	98	8
	2.5	8	18	16	98	8
	3	8	18	16	98	8
	3.5	8	18	16	98	8
	4	8	18	16	98	8
	5	8	18	16	98	8
6	8	18	16	98	8	
8	8	18	16	98	8	
28	1	8	18	16	98	8
	1.2	8	18	16	98	8
	1.5	8	18	16	98	8
	2	8	18	16	98	8
	2.5	8	18	16	98	8
	3	8	18	16	98	8
	3.5	8	18	16	98	8
	4	8	18	16	98	8
5	8	18	16	98	8	
6	8	18	16	98	8	
8	8	18	16	98	8	

ØD	T	d1	L1	d	L	No. Of Flutes
30	1	8	18	16	98	10
	1.2	8	18	16	98	10
	1.5	8	18	16	98	10
	2	8	18	16	98	10
	2.5	8	18	16	98	10
	3	8	18	16	98	10
	3.5	8	18	16	98	10
	4	8	18	16	98	10
	5	8	18	16	98	10
6	8	18	16	98	10	
8	8	18	16	98	10	
32	1	8	18	16	98	10
	1.2	8	18	16	98	10
	1.5	8	18	16	98	10
	2	8	18	16	98	10
	2.5	8	18	16	98	10
	3	8	18	16	98	10
	3.5	8	18	16	98	10
	4	8	18	16	98	10
5	8	18	16	98	10	
6	8	18	16	98	10	
8	8	18	16	98	10	

**NOTE:**

1. Chamfer, Radius & Full Radius are customized designs.
2. Submicron grade carbide.
3. Other dimensions will be provided upon request.
4. All specifications are subject to change without prior notice.

For customization, please fill in your required dimensions here:

D	T	d1	L1	d	L	N	C/F	Full R	R
Tol:	-	-	-	-	-	-	-	-	-
Size:	-	-	-	-	-	-	-	-	-